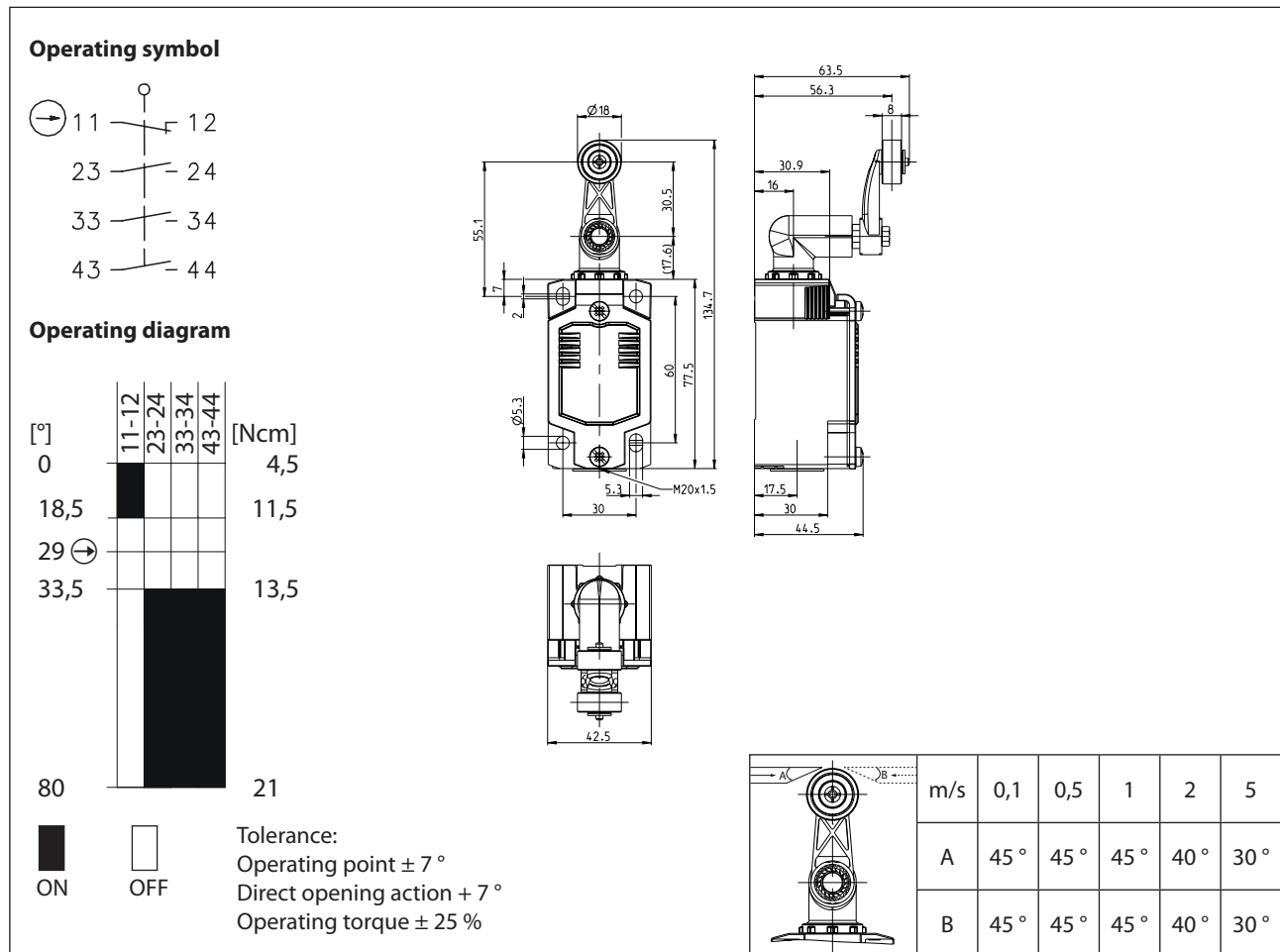


Metal bodied limit switch

Series MN78

Description **MN78-13 AHK**

Article number **6087000072**



Electrical Data

| | | |
|---|---------------|--|
| Rated insulation voltage | U_i | 250 V |
| Rated impulse withstand voltage | U_{imp} | 2,5 kV |
| Rated operational voltage | U_e | 240 V AC / 24 V DC |
| Rated supply frequency AC | | 50 / 60 Hz |
| Conv. thermal current | I_{the} | 5 A |
| Minimum current | | 1 mA |
| Utilization category | | AC 15, U_e/I_e 240 V / 1,5 A; DC 13, U_e/I_e 24 V / 1,5 A |
| Direct opening action | \rightarrow | acc. IEC/EN 60947-5-1, annex K; direct opening torque: 19,5 Ncm |
| Short-circuit protective device | | Fuse 4 A gG |
| Rated conditional short-circuit current | | 400 A |
| Protection class | | I |

